

MANUFACTURED BY PARKER - PGI DIVISION

Installation or Removal of Models A1910, A1911, and A1912 Bleed Valves

February 2014

Form FVC 050 - Rev 02

IMPORTANT: KEEP THIS DOCUMENT WITH THE PRODUCT UNTIL IT REACHES THE END USER.

WARNING!

Before installation or removal of Bleed Valves, the system must be purged completely of all product. Use proper safety equipment at all times. An abundant supply of clean water must be readily available and easily accessible as a means of providing **IMMEDIATE** First Aid treatment for exposure to Anhydrous Ammonia.

USE PROPER SAFETY EQUIPMENT AT ALL TIMES. PURGE THE SYSTEM COMPLETELY OF ALL PRODUCT.

CAUTION: Contact with or inhalation of Liquid Anhydrous Ammonia vapor can cause serious injury or death. Dispersment must be in accordance with local regulations. For the proper handling and storage of Anhydrous Ammonia refer to ANSI Standard K61.1.

TOOLS REQUIRED

Safety equipment (i.e. gloves, goggles, and clothing), 9/16" Open End Wrench.

INSTALLATION OF NEW BLEED VALVE

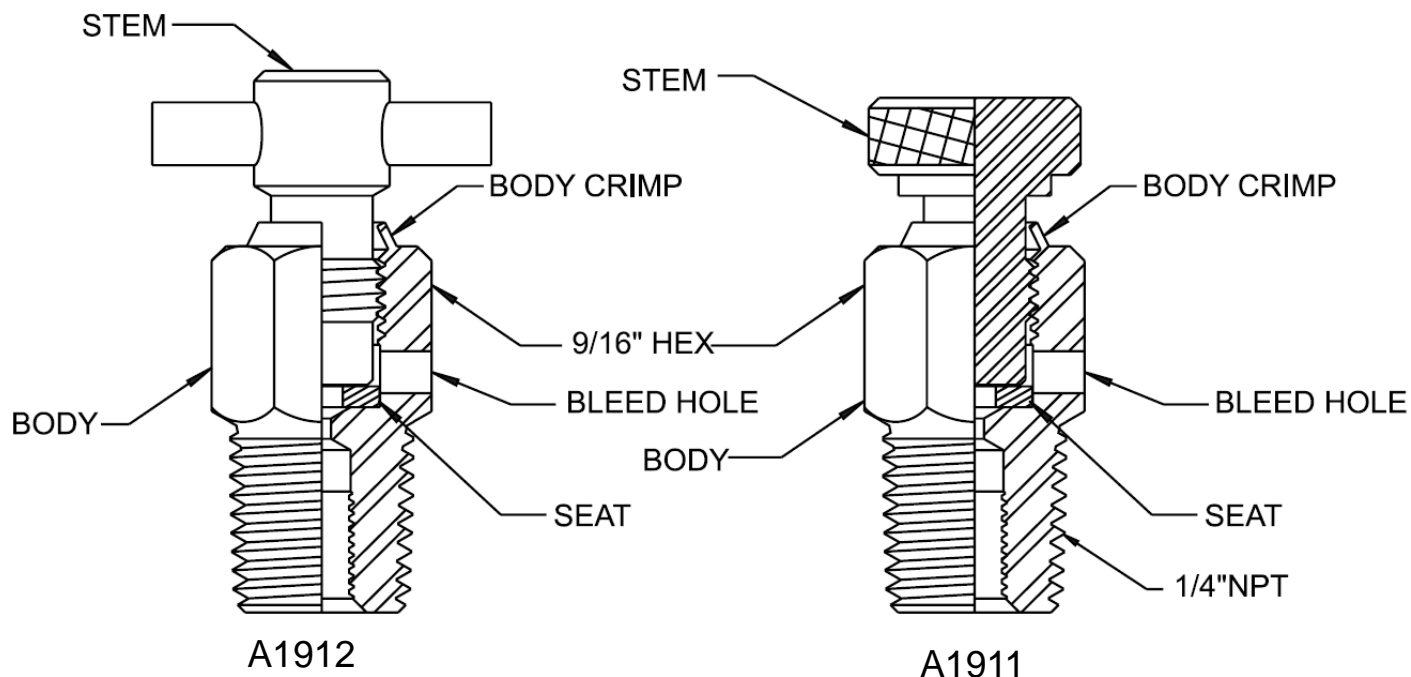
1. Apply PTFE tape or sealant on male pipe threads. Install Bleed Valve taking caution not to over tighten. Install so that the 1/8" Bleed Hole is facing away from all personnel when the valve is opened.

REMOVAL OF BLEED VALVE FROM SERVICE

1. Safety equipment must be worn before continuing with the next step.
2. Before removing the Bleed Valve, ensure that the system is purged of all product.

OPERATION WARNING

When operating a Bleed Valve, you must wear safety gloves, goggles, and clothing. Open and close the Bleed Valves by hand only. Do not use pliers or wrenches. When opening, do not force the stem past the body crimp.



While this information is presented in good faith and believed to be accurate, individuals using this literature must exercise their independent judgment in evaluating product selection and determining product appropriateness for their particular purpose, system requirements and certifications. The manufacturer reserves the right to change product designs and specifications without notice.

USER SAFETY RESPONSIBILITY STATEMENT FOR ALL PARKER PRODUCTS

FAILURE OR IMPROPER SELECTION OR IMPROPER USE OF THE PRODUCTS DESCRIBED HEREIN OR RELATED ITEMS CAN CAUSE DEATH, PERSONAL INJURY AND PROPERTY DAMAGE.

- This document and other information from Parker-Hannifin Corporation, its subsidiaries and authorized distributors provide product or system options for further investigation by users having technical expertise.
- The user, through its own analysis and testing, is solely responsible for making the final selection of the system and components and assuring that all performance, endurance, maintenance, safety and warning requirements of the application are met. The user must analyze all aspects of the application, follow applicable industry standards, and follow the information concerning the product in the current product catalog and in any other materials provided from Parker or its subsidiaries or authorized distributors.

To the extent that Parker or its subsidiaries or authorized distributors provide component or system options based upon data or specifications provided by the user, the user is responsible for determining that such data and specifications are suitable and sufficient for all applications and reasonably foreseeable uses of the components or systems.

While this information is presented in good faith and believed to be accurate, individuals using this literature must exercise their independent judgment in evaluating product selection and determining product appropriateness for their particular purpose, system requirements and certifications. The manufacturer reserves the right to change product designs and specifications without notice.